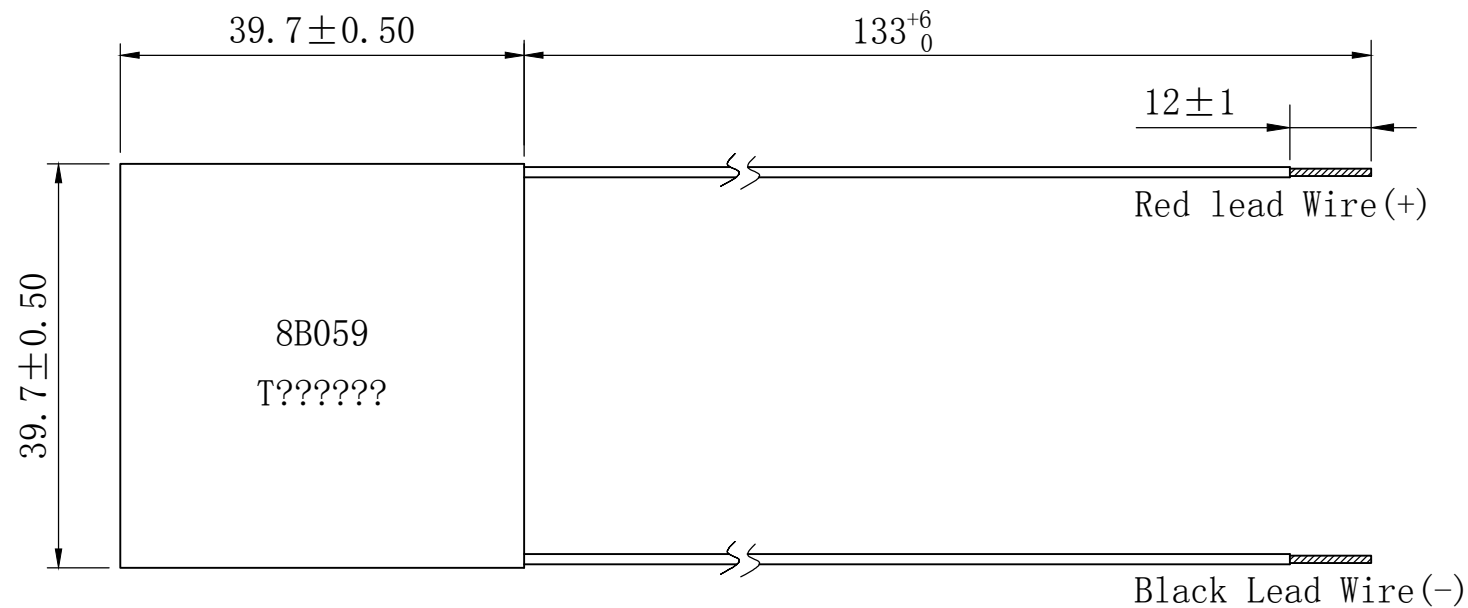


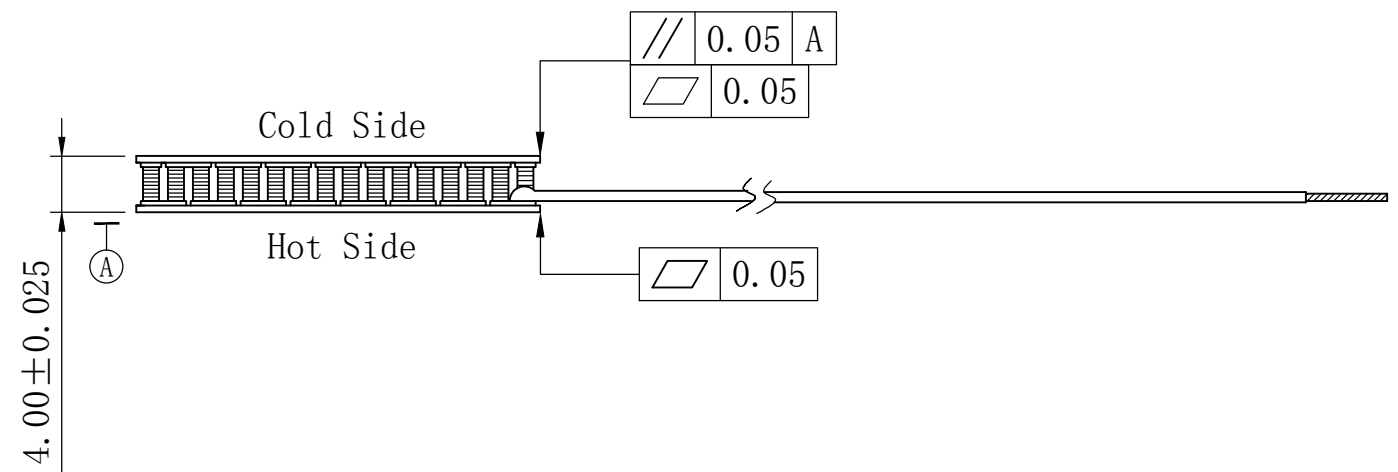
FERROTEC CONFIDENTIAL



- 1) The resistance of the module shall be within 1.915 to 2.339 ohms at an ambient temperature of 25 degrees Celsius.
- 2) Material of lead wires: #20 AWG Type-E Teflon MIL-W-16878E/4.
- 3) The end of the lead wires should be pre-tinned.
- 4) Lot Number and Part Number shall be stamped on the cold side with black color.

ROHS COMPLIANCE

Item	Value	Test Conditions
I _{max}	6.0A	Q _c =0, DT=DT _{max} , Th=50°C
V _{max}	18.1V	Q _c =0, I=I _{max} , Th=50°C
DT _{max}	83°C	Q _c =0, I=I _{max} , Th=50°C
Q _{cmax}	57W	I=I _{max} , DT=0, Th=50°C
Th _{max}	200°C	Momentary



Ferrotec Corporation
 (Zhijiang Factory)
 668# Binkang Road, Hangzhou Hi-tech
 Garden, Zhejiang Province, P.R.China

General Dimension Tolerance			Pls	Date Modifying	Summary of Modification	By	Designed	2013. 8. 12	Finished Mark	Title	Proj.		
Process	Cutting		Forging				Jiang	2013. 8. 12	Material	72005/127/060B	3		
	Size range	common										special	Common
							wu yongqin	2013. 8. 12	Finish	Drawing Number	1/1		
	Less than 6	±0.1	±0.15	±0.5			Approved		Raw Material Size	T1308-0500			
	6 up to 30	±0.2					Approved		Raw Material Weight				
	30 up to 120	±0.3	±0.2	±0.7			Approved						
	120 up to 315	±0.5	±0.25	±1.0			Approved						
	315 up to 1000	±0.8	±0.4	±1.5			Approved						
	1000 up to 2000	±1.2	±0.6	±2.0			Approved						
										P/N	8B059	Scale: Do not Scale	Rev. Z