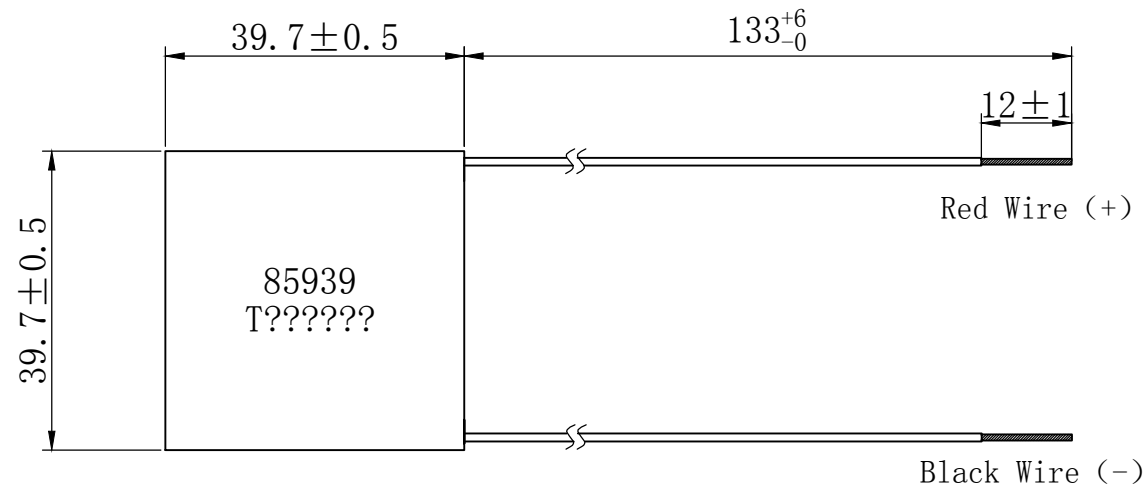
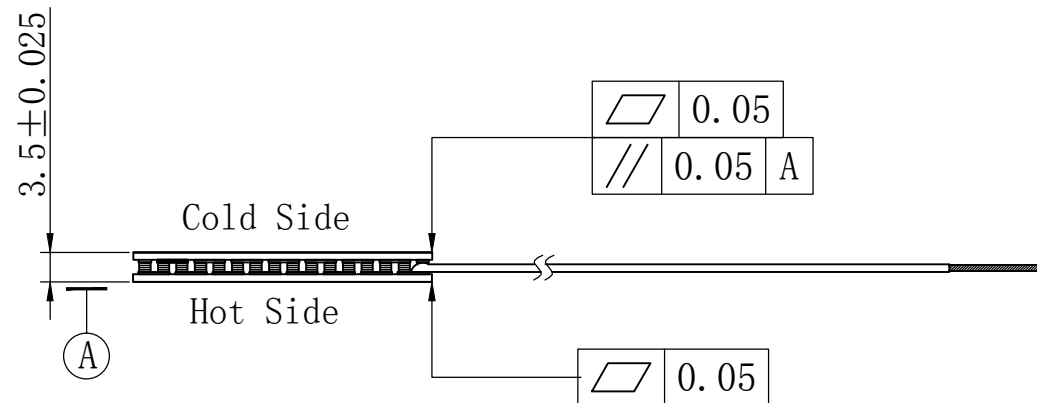


FERROTEC CONFIDENTIAL



- 1) The resistance of the module shall be within 1.047 to 1.278 ohms at an ambient temperature of 25 degrees Celsius.
- 2) The lead wire material: MIL-W-16878E/4 Type-E, #20 AWG PTFE.
- 3) The end of the lead wires shall be pre-tinned.
- 4) Lot Number and Part Number shall be stamped on the cold side with black color.



The head of RTV sealing shall be 0.5mm maximum out of module's edge, except for where near the soldered ends of the lead wire.

ROHS COMPLIANCE

Item	Value	Test Conditions
I _{max}	11.0A	Q _c =0, DT=DT _{max} , Th=50°C
V _{max}	18.1V	Q _c =0, I=I _{max} , Th=50°C
DT _{max}	83°C	Q _c =0, I=I _{max} , Th=50°C
Q _{cmax}	104W	I=I _{max} , DT=0, Th=50°C
Th _{max}	200°C	Momentary

Ferrotec Corporation
 (Zhijiang Factory)
 668# Binkang Road, Hangzhou Hi-tech
 Garden, Zhejiang Province, P.R.China

General Dimension Tolerance				PLs	Date Modifying	Summary Of Modification	By	Designed	2013-3-26	Finished Mark	Title	Proj.
Process	Cutting		Forging	▲				Jiejian Lu	2013-3-26		72001/127/110B	3
	Size Range	Common	Special					Common				
	less than 6	±0.1	±0.15	±0.5	▲			Approved		T1303-3200	1/2	
	6 up to 30	±0.2			▲			FTH				Raw Material Size
	30 up to 120	±0.3	±0.2	±0.7	▲			Approved		Raw Material Weight	85939	
	120 up to 315	±0.5	±0.25	±1.0	▲			FT				Rev.
	315 up to 1000	±0.8	±0.4	±1.5	▲			FTA				
	1000 up to 2000	±1.2	±0.6	±2.0	▲							