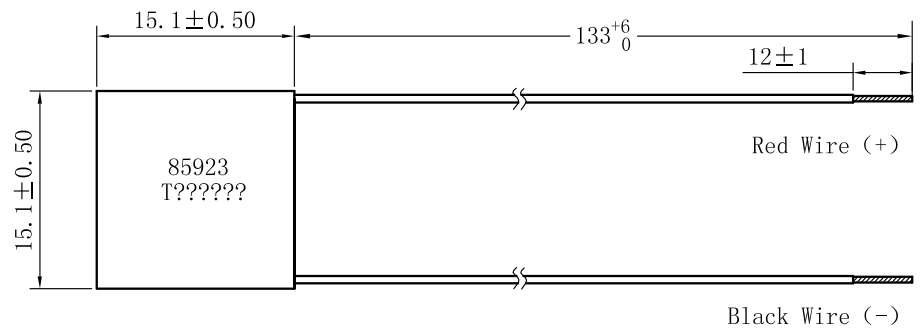
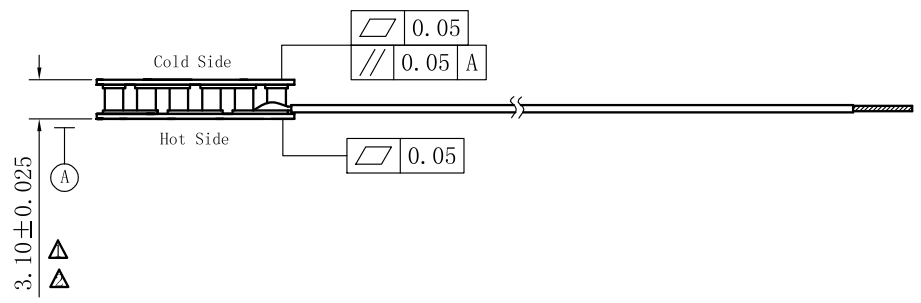


FERROTEC CONFIDENTIAL



- 1) The resistance of the module shall be within 0.402 to 0.487 ohms at an ambient temperature of 25 degrees Celsius.
- 2) Material of lead wires: #24 AWG Type-E Teflon MIL-W-16878E/4.
- 3) The end of the lead wires is pre-tinned.
- 4) Lot Number and Part Number shall be stamped on the cold side with black color.

ROHS COMPLIANCE



Item	Value	Test Conditions
I _{max}	4.0A	Q _c =0, DT=DT _{max} , Th=50°C
V _{max}	2.4V	Q _c =0, I=I _{max} , Th=50°C
DT _{max}	83°C	Q _c =0, I=I _{max} , Th=50°C
Q _{cmax}	5.1W	I=I _{max} , DT=0, Th=50°C
Th _{max}	200°C	Momentary

Ferrotec Corporation
 (Zhijiang Factory)
 668# Binkang Road, Hangzhou Hi-tech
 Garden, Zhejiang Province, P.R.China

General Dimension Tolerances		Date Modified	Summary Of Modification	By	Designed	Finished Mark	Title	Proj.
Process	Cutting Forging	1	16.10.31	TE module height	Huang	16.10.31	20005/017/040B	3 Angle
Size Range	Common Special Common	1	16.12.14	TE module height	Huang	16.10.31		
less than 6	±0.1	±0.15	±0.5		Checked	Material	Drawing Number	1 1
6 up to 30	±0.2				Approved	Finish		
30 up to 120	±0.3	±0.2	±0.7				Raw Material Size	P/N
120 up to 315	±0.5	±0.25	±1.0		Approved	Raw Material Weight		
315 up to 1000	±0.8	±0.4	±1.5				85923	Rev. B
1000 up to 2000	±1.2	±0.6	±2.0		Approved			