

TECHNICAL DATA

V_{oc}	4.2 V	$T_{hot}=230^{\circ}C$ $T_{cold}=70^{\circ}C$
V_{load}	2.1 V	
W_{load}	2.8 W	
I_{load}	1.33 A	
R_{load}	1.6 Ohm	
ACR at 25°C	0.73 Ohm	
R_f at 25°C	2.74 °C/W	
Pad type	Hot side	Ceramics Al_2O_3 , white 96%
	Cold side	
Max. processing temperature	Depends on chosen solder type	
Standard tolerances for thermal and electrical parameters : ±10%		

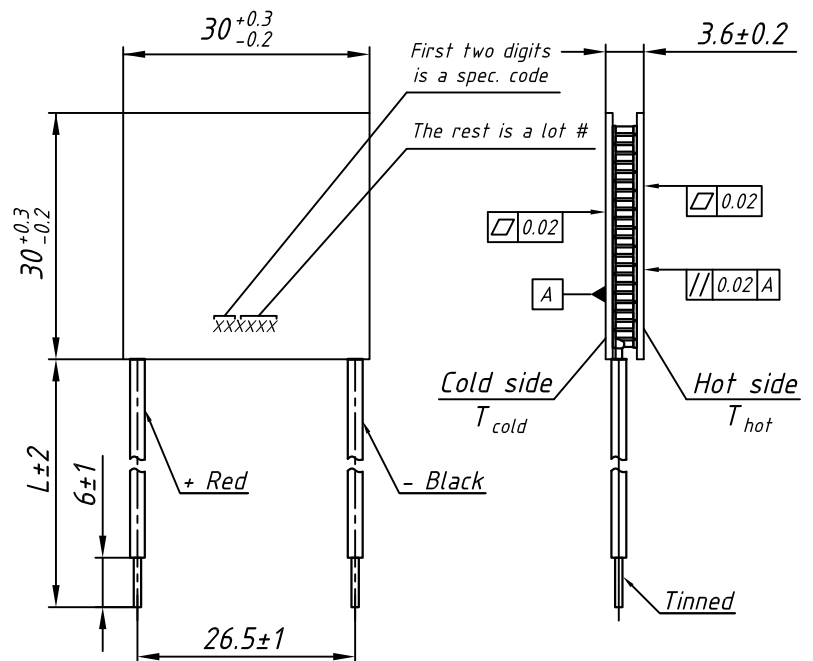
Notes:

- 1) Module AC resistance at 25°C does not include resistance of lead wires.
- 2) V_{oc} - generated voltage if open circuit.
- 3) R_{load} - matched load resistance corresponded to maximum generated electric power.
- 4) V_{load} - voltage generated on R_{load} .
- 5) I_{load} - generated electric current at R_{load} .
- 6) W_{load} - electric power generated on R_{load} .
- 7) R_f - thermal resistance of the module.

STANDARD ORDERING OPTIONS

№	Option	Parameter		
		AWG №		
1	Lead wires	20	22	24
2	Lead wires length	L - under customer request		
3	Lead wires insulation	Without insulation		
		Silicone		
		PTFE		
4	Internal solder	Max. processing temp.		
		227° C		
		280° C *		

MODULE DRAWING
standard design



AVAILABLE MODIFICATIONS

Design	Description
TMG-71-1.4-1.3 M	Version with increased ON/OFF reliability

OPTIONS UPON REQUEST

Height tolerance	± 0.02
Unflatness and nonparallelism	± 0.01

- Solder type marked * is not compliant to RoHS (2002/95/EC)
- For another options consult of our technical support engineers

TMG-71-1.4-1.3 M power generating TE module

